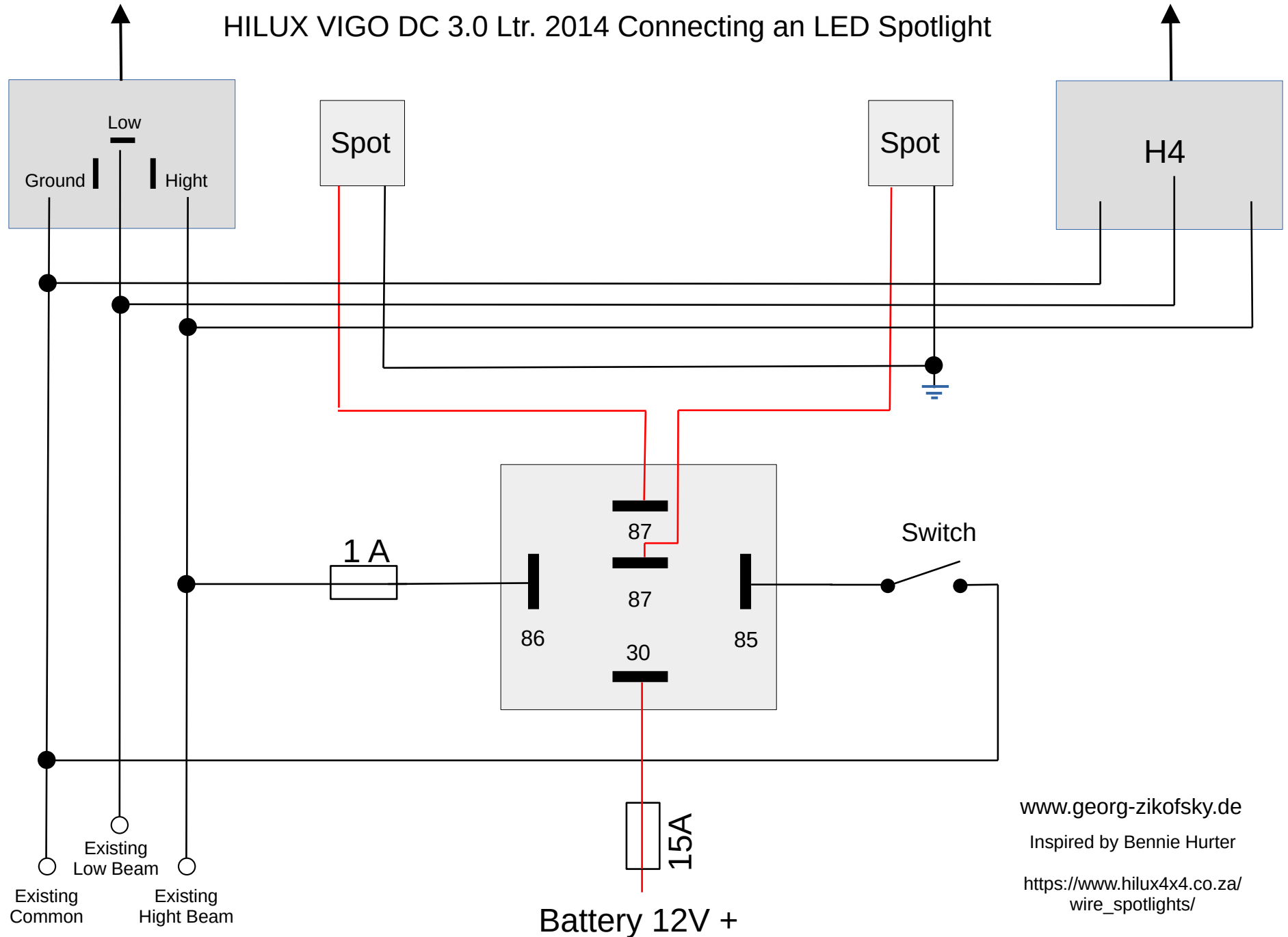


# HILUX VIGO DC 3.0 Ltr. 2014 Connecting an LED Spotlight



[www.georg-zikofsky.de](http://www.georg-zikofsky.de)

Inspired by Bennie Hurter

[https://www.hilux4x4.co.za/wire\\_spotlights/](https://www.hilux4x4.co.za/wire_spotlights/)

Battery 12V +

On a normal 3 pole Head Light bulb the common is left, and the Highbeam is right. The top Centre pin is for the lowbeam and is not used here.